

Newhouse Table

Assembly Instructions

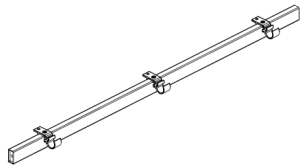
Component List



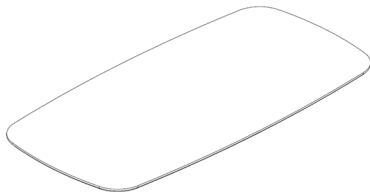
Legs [x4]



End Rail [x2]



Side Rail [x2]



Worksurface [x1]



M8 SHCS [x8]



Pan Phil #10-24 x 5/8" [x36]

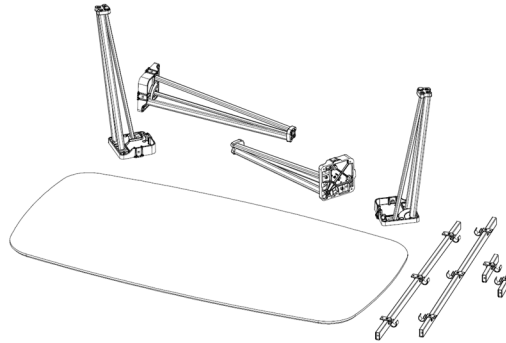


Pan Head #12 x 3/4" [x8]

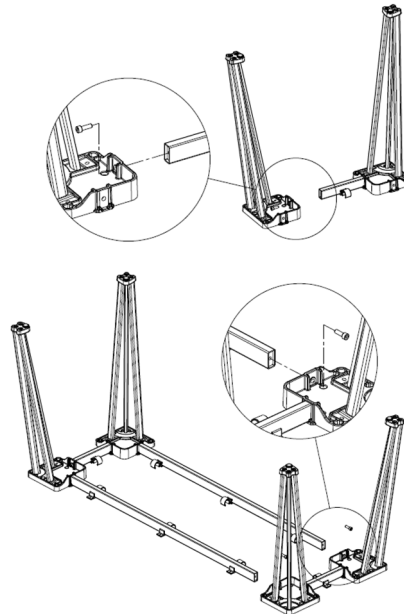


Allen Wrench 6mm. [x1]

Step 1: Remove Legs, Rails and Worksurface from shipping carton.



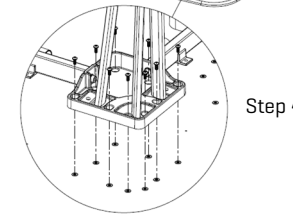
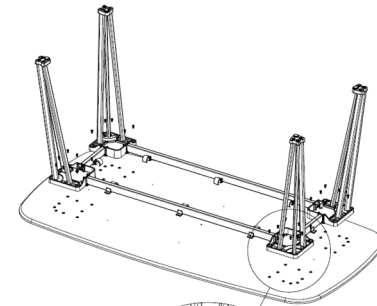
Step 2: Assemble End rails and Side rails to legs and fasten using enclosed M8 SHCS to create frame table.



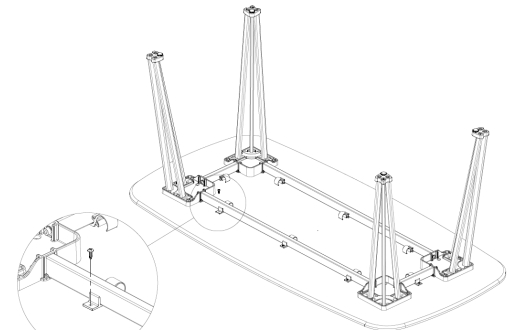
Step 3: Flip the worksurface over onto its face with pilot holes facing upwards.

Step 4: Place the frame assembly onto the worksurface aligning the holes on the worksurface and fasten using enclosed Pan Phil #10-24 x 5/8"

Step 5: Fasten Wire Management clips with the worksurface using enclosed Pan Head #12 x 3/4"



Step 4



Step 5